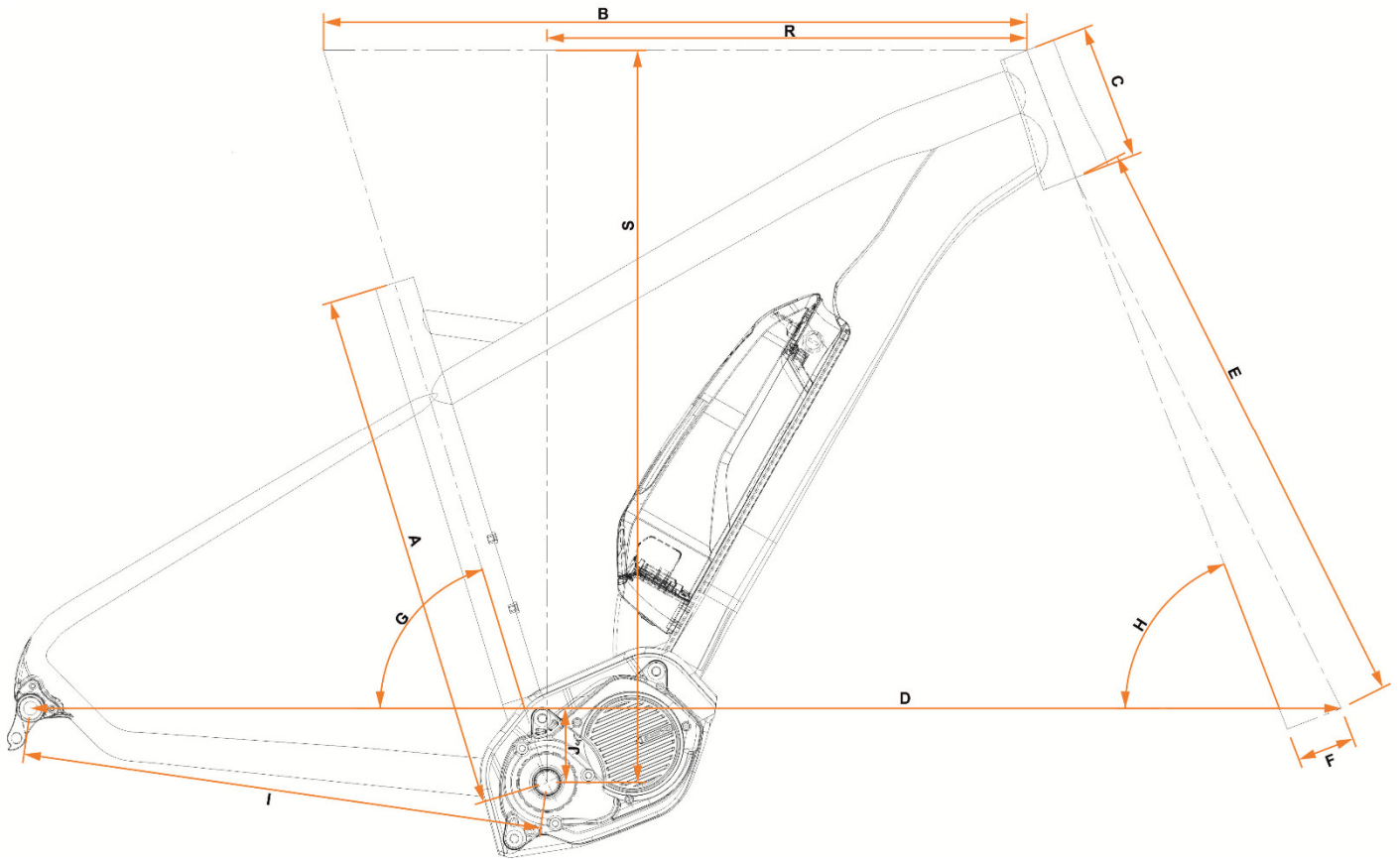


GENSA

geometry chart



MERANO POWER

FRAME SIZE	29er 16,5"	29er 18"	29er 21"
ST Length(A)	420	460	530
TT Length(B)	604	620	653
HT Length(C)	110	120	140
W.B(D)	1138	1155	1189
FORK Length(E)	520	505	505
Fork Offset(F)	51	51	51
ST Angle(G)	73	73	73
HT Angle(H)	69	69	69
RC(I)	460	460	460
BB Drop(J)	65	65	65
REACH(R)	410	423	450
STACK(S)	635	644	663