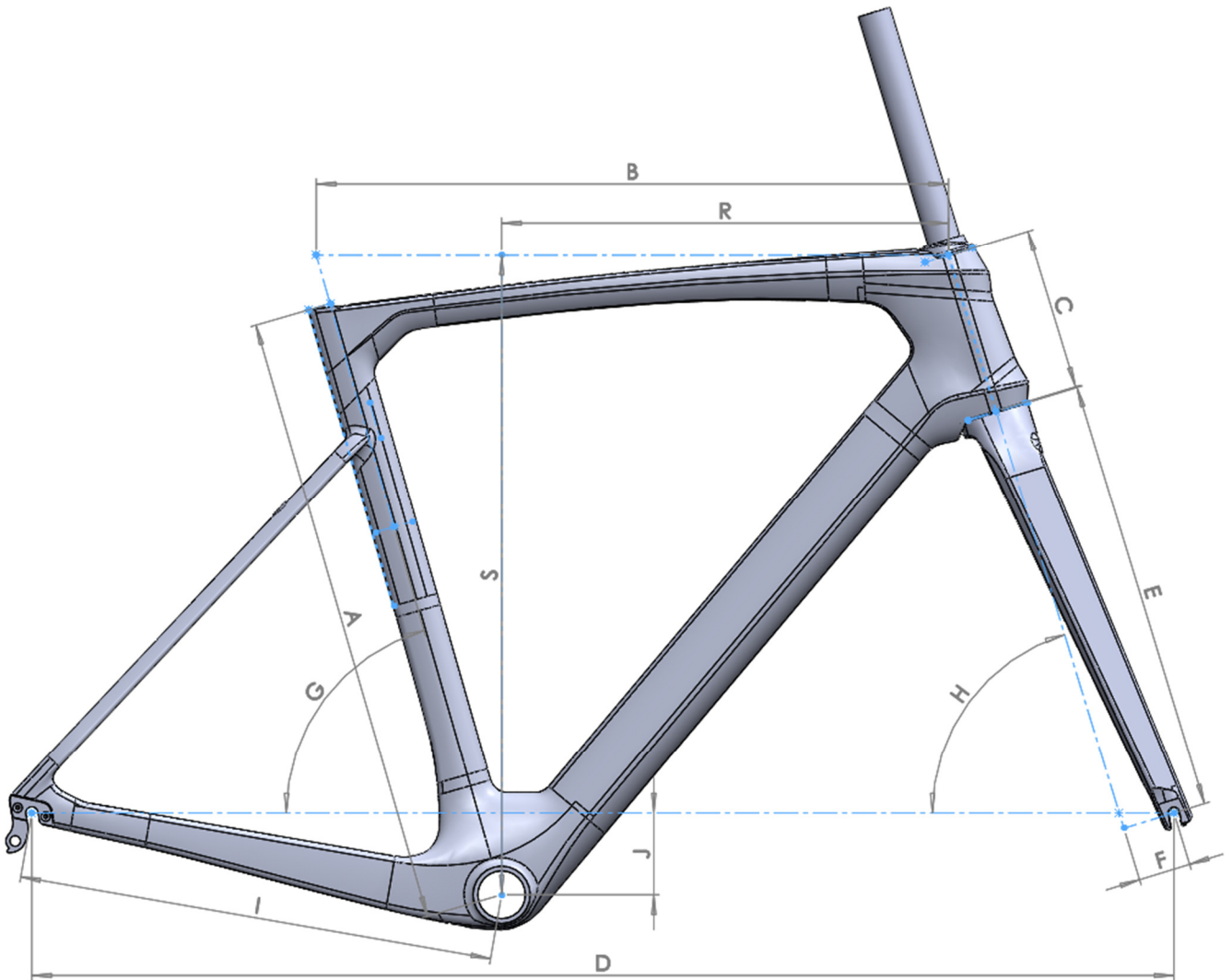


GENSA

geometry chart



GIULIAERO

| FRAME SIZE | 50cm | 53cm | 55cm | 58cm | 61cm |
|----------------|-------|-------|-------|-------|--------|
| ST Length(A) | 500 | 530 | 550 | 580 | 610 |
| TT Length(B) | 523.2 | 543.7 | 558.8 | 575.4 | 591 |
| HT Length(C) | 111.8 | 140 | 160.6 | 181.5 | 200.5 |
| W.B(D) | 976.5 | 982.2 | 993.9 | 1005 | 1011.9 |
| FORK Length(E) | 375 | 375 | 375 | 375 | 375 |
| Fork Offset(F) | 45 | 45 | 45 | 45 | 45 |
| ST Angle(G) | 74.5 | 74 | 73.5 | 73 | 72.7 |
| HT Angle(H) | 72 | 73 | 73 | 73 | 73.5 |
| RC(I) | 410 | 410 | 410 | 410 | 410 |
| BB Drop(J) | 70 | 70 | 70 | 70 | 70 |
| REACH(R) | 379 | 384 | 390 | 395 | 401 |
| STACK(S) | 520 | 550 | 570 | 590 | 610 |